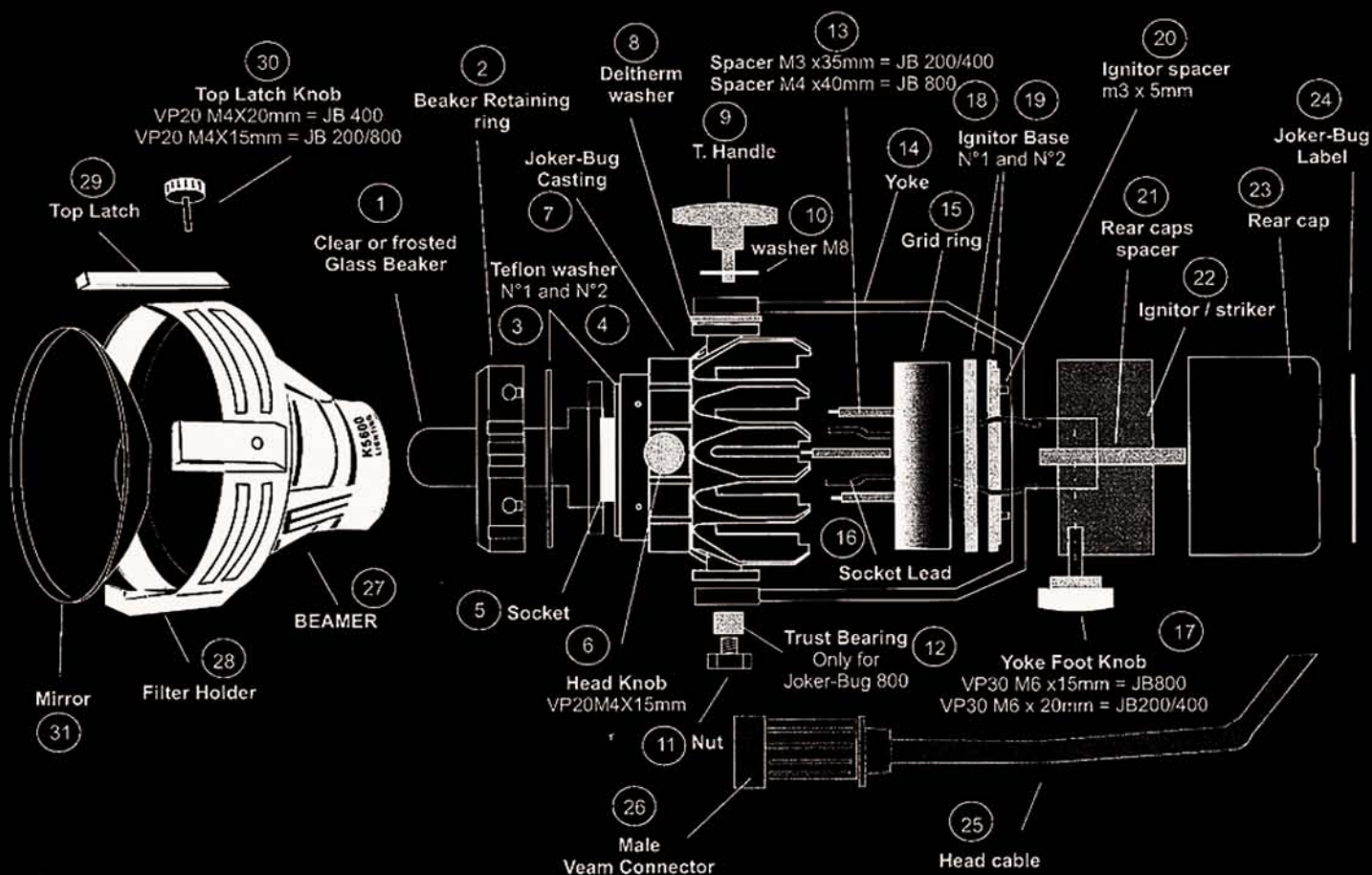


**K 5600<sup>®</sup>**  
L I G H T I N G

OWNERS MANUAL



# JOKER BUG 200/400/800



## Important Safety Instructions

**Caution High Voltage!** Before replacing the lamp, disconnect lamp head from the ballast!

**Caution High Heat!** Lamp and Beaker may be hot ! Allow the lamp to cool down sufficiently before replacing.

**Caution High Heat!** The housing and ballast can reach high temperatures.

Do not cover ventilation slots.

Never turn on the lamp head without the Beaker safety UV absorbing glass.

Do not operate if any damage of cables, plugs or lamp holder is detected.

Make sure the Ballast voltage selector switch (110V/220V) is set to the appropriate setting before plugging in.

Caution: Ballast must be grounded at all times! Check that the outlet has a reliable

grounding connection. Do this not only for your safety but also for the reliability of Ballast.

## Product Introduction and General Instructions

---

Do not touch lamp quartz envelope with bare hands. Burned-in fingerprints will reduce the useful life period of the lamp. The lamp can be cleaned with a lint free cloth and alcohol.

Use care when installing a lamp. All contacts must be dry and free of contamination or corrosion.

Whenever the fixture has been transported, check to make sure the lamp is correctly seated in the lamp holder.

Use K5600 original spare parts and accessories only.

## Operation

---

Check to be sure the ballast is switched off.

Insert the connector of the lamp head (male) into the ballast output (female).

Make sure the barndoors are not closed, danger of overheating!

Press down the red button to turn on.

## Bulb Maintenance and Replacement

---

Caution High Voltage! Before replacing the bulb, disconnect lamp head from the ballast!

Remove the BEAMER (27) housing by loosening the Head Knob (6).

Unfasten the three retaining ring screws and remove Beaker Retaining Ring (2).

Do not touch lamp quartz envelope with bare hands. Burned-in fingerprints will reduce the useful life period of the lamp. If lamp has been contaminated by fingerprints it can be cleaned with a lint free cloth and alcohol.

When igniting the lamp it is a good idea to leave it running for 2-3 minutes before shutting down.

Failure to do so could reduce the useful life period of the lamp. Note: Prematurely turning off the unit could result in the lamps inner envelop to appear cloudy or black, and this does not necessarily mean the bulb is bad. Simply run the bulb for 2-3mins to clear this up.

## Adapting the Bug-Lite Speed Ring

---

Remove the BEAMER (27) housing by loosening the Head Knob (6).

Replace BEAMER with Dedicated Bug-Lite Speed Ring.

Tighten the Head Knob (6) to secure Speed Ring in place.

## Using Lenses and Barndoors

---

Loosen the Top Latch Knob(30) and swing Top Latch (29) to side

Slide desired lens into the innermost slots of the Beamer Holders (28)

Slide the Barndoor into the outmost slots of the Beamer Holder (28)

Note: LOCAL NEWS fixtures do not come with Lenses. Focusing is accomplished by twisting the BEAMER (27)





[www.K5600.com](http://www.K5600.com)